



US00D526030S

(12) **United States Design Patent** (10) **Patent No.:** **US D526,030 S**
Jones (45) **Date of Patent:** **** Aug. 1, 2006**

(54) **PAINTBALL GUN BODY** 5,228,427 A 7/1993 Gardner, Jr. 124/71
5,261,384 A 11/1993 Hu 124/66
(76) Inventor: **Danial S. Jones**, 45 Owl Hollow Rd., 5,280,778 A 1/1994 Kotsiopoulos 124/73
Ligonier, PA (US) 15658 5,285,765 A 2/1994 Lee 124/50

(**) Term: **14 Years**

(Continued)

FOREIGN PATENT DOCUMENTS

(21) Appl. No.: **29/195,533**
(22) Filed: **Dec. 12, 2003**
(51) **LOC (8) Cl.** **21-01**
(52) **U.S. Cl.** **D21/571**
(58) **Field of Classification Search** D21/567,
D21/570, 572-575; D22/100, 103, 104, 108,
D22/109, 115; 124/56, 65, 70-74, 76, 77
See application file for complete search history.

EP 94026535 2/1993
GB 2146416 4/1985
GB 2313655 12/1997
JP 1179898 7/1989
JP 7004892 1/1995
WO WO 97/26498 6/1997

OTHER PUBLICATIONS

<http://www.directpaintball.com/pics/diablomatrix/matrix-parts.gif> 3 pages.
<http://www.technopaintball.com/matrixreview.htm> 2pages.

Primary Examiner—Holly Baynham
Assistant Examiner—Cynthia M. Chin

(56) **References Cited**

U.S. PATENT DOCUMENTS

2,304,320 A 12/1942 Tratsch 124/77
2,554,116 A 5/1951 Monner 124/11
2,568,432 A 9/1951 Cook 124/77
2,594,240 A 4/1952 Wells 124/13
2,634,717 A 4/1953 Junkin 124/11
2,834,332 A 5/1958 Guthrie 124/77
2,845,055 A 7/1958 Collins et al. 124/32
2,845,805 A 7/1958 Collins et al. 124/77
3,089,476 A 5/1963 Wolverton 124/77
3,192,915 A 7/1965 Norris et al. 124/77
D219,020 S * 10/1970 LaViolette D22/104
3,662,729 A 5/1972 Henderson 124/73
3,695,246 A 10/1972 Filippi et al. 124/77
3,921,980 A 11/1975 Artzer 124/77
4,009,536 A 3/1977 Wolff 42/84
4,094,294 A 6/1978 Speer 124/56
4,269,163 A 5/1981 Feith 124/77
D259,939 S * 7/1981 Rubin D21/574
4,362,145 A 12/1982 Stelcher 124/32
4,730,407 A 3/1988 DeCarlo 42/84
4,770,153 A 9/1988 Edelman 124/77
4,819,609 A 4/1989 Tippmann 124/72
4,899,717 A 2/1990 Rutten et al. 124/32
4,936,282 A 6/1990 Dobbins et al. 124/74
5,063,905 A 11/1991 Farrell 124/72
5,083,392 A 1/1992 Bookstaber 42/84

(57) **CLAIM**

The ornamental design for a paintball gun body, as shown and described.

DESCRIPTION

This application is related to U.S. Patent application Ser. No. 10/695,049, entitled "Electro-Pneumatic Paintball Gun," filed Oct. 27, 2003.

FIG. 1 is a perspective view of a paintball gun body, showing my new design in full lines, with the broken lines showing environmental association matter for illustration purposes only;

FIG. 2 is a top plan view thereof;

FIG. 3 is a rear elevational view thereof;

FIG. 4 is a front elevational view thereof;

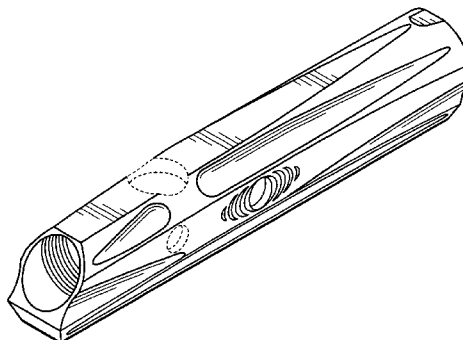
FIG. 5 is a left side, elevational view thereof;

FIG. 6 is a right side, elevational view thereof; and,

FIG. 7 is a bottom plan view thereof.

The broken lines are for illustrative purposes only and form no part of the claimed design.

1 Claim, 3 Drawing Sheets



US D526,030 S

Page 2

U.S. PATENT DOCUMENTS

D346,837 S	*	5/1994	Sun	D21/574	6,035,843 A	3/2000	Smith et al.	124/77	
5,333,594 A		8/1994	Robinson	124/73	D451,977 S	*	12/2001	Urbano	D21/572
5,337,726 A		8/1994	Wood	124/61	6,343,599 B1		2/2002	Perrone	124/33
5,349,938 A		9/1994	Farrell	124/73	6,349,711 B1		2/2002	Perry et al.	124/73
5,383,442 A		1/1995	Tippmann	124/76	D458,652 S	*	6/2002	Chan	D21/574
5,413,083 A		5/1995	Jones	124/32	6,474,326 B1		11/2002	Smith et al.	124/77
5,462,042 A		10/1995	Greenwell	124/76	6,516,791 B1		2/2003	Perrone	124/77
5,515,838 A		5/1996	Anderson	124/76	6,520,172 B1		2/2003	Perrone	124/74
5,613,483 A		3/1997	Lukas et al.	124/73	6,637,421 B1		10/2003	Smith et al.	124/77
D387,841 S	*	12/1997	Hochstrate et al.	D22/104	6,644,295 B1		11/2003	Jones	124/77
5,878,736 A		3/1999	Lotuaco, III	124/71	6,644,296 B1		11/2003	Gardner, Jr.	124/77
5,881,707 A		3/1999	Gardner, Jr.	124/77	2002/0096164 A1		7/2002	Perrone	124/77
5,967,133 A		10/1999	Gardner, Jr.	124/77	2002/0170551 A1		11/2002	Kotsiopoulos et al.	124/54
6,003,504 A		12/1999	Rice et al.	124/73						

* cited by examiner

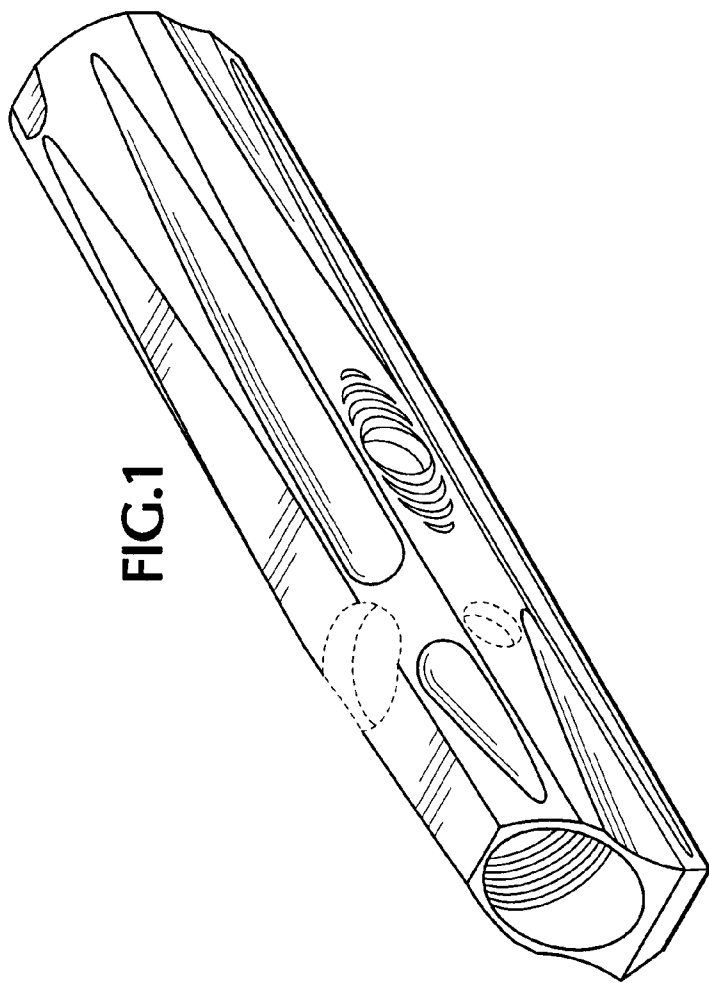


FIG.1

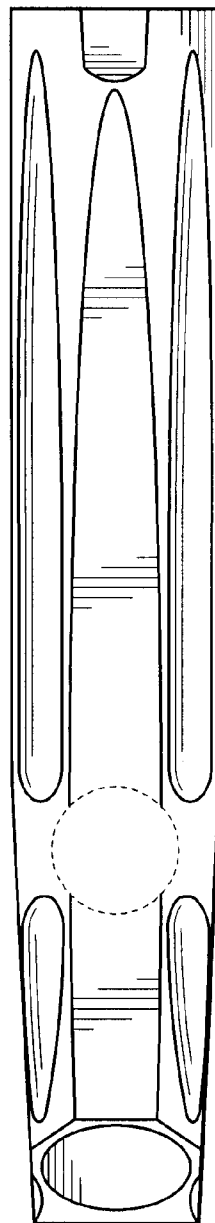


FIG.2

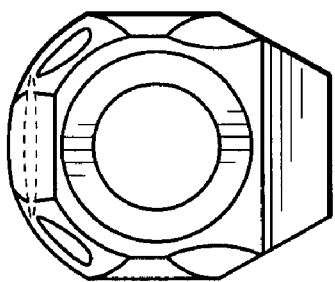


FIG.3

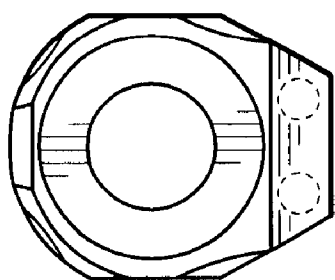


FIG.4

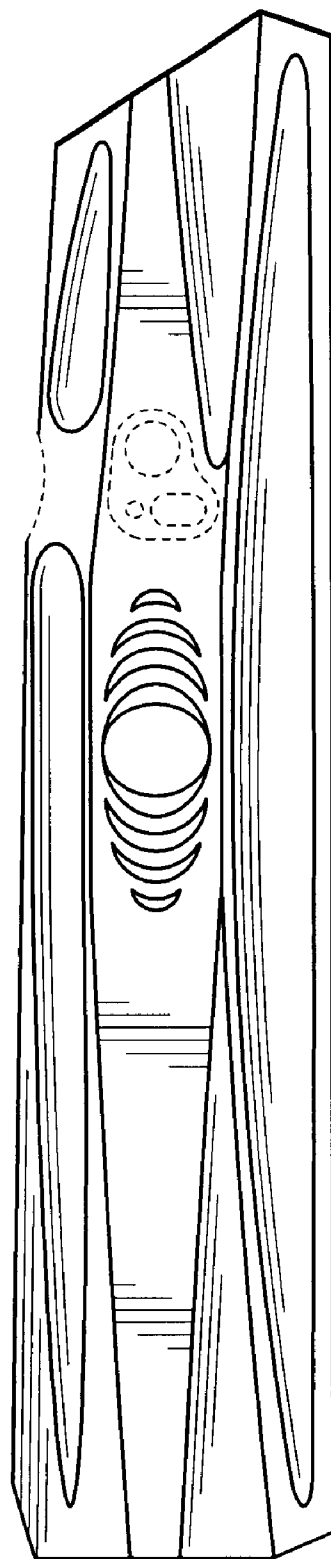


FIG.5

