



US00D337627S

# United States Patent [19]

[11] Patent Number: **Des. 337,627**

**Moran**

[45] Date of Patent: **\*\* Jul. 20, 1993**

[54] **PAINT BALL GUN**

5,074,437 12/1991 D'Andrade ..... 446/473  
5,150,819 9/1992 Johnson ..... 446/473

[76] Inventor: **John C. Moran**, 3124 Lake Ave.,  
Fort Wayne, Ind. 46805

*Primary Examiner*—Bernard Ansher  
*Assistant Examiner*—R. Barkai  
*Attorney, Agent, or Firm*—Louis E. Hay

[\*\*] Term: **14 Years**

### [57] CLAIM

[21] Appl. No.: **722,275**

The ornamental design for a paint ball gun, as shown and described.

[22] Filed: **Jun. 27, 1991**

[52] U.S. Cl. .... **D21/147**

[58] Field of Search ..... **D21/145, 146, 147;**  
D23/225; 446/267, 473; 222/78, 79; 239/211,  
329, 337, 373

### DESCRIPTION

### [56] References Cited

#### U.S. PATENT DOCUMENTS

D. 265,221	6/1982	Hardin	.....	D21/147
D. 285,327	8/1986	Yano	.....	D21/147
D. 318,309	7/1991	D'Andrade	.....	D21/147
2,097,749	11/1937	Wade	.....	446/473
2,303,510	12/1942	Swebilius	.....	446/473

FIG. 1 is an elevational view of the paint ball gun taken from the front side thereof;

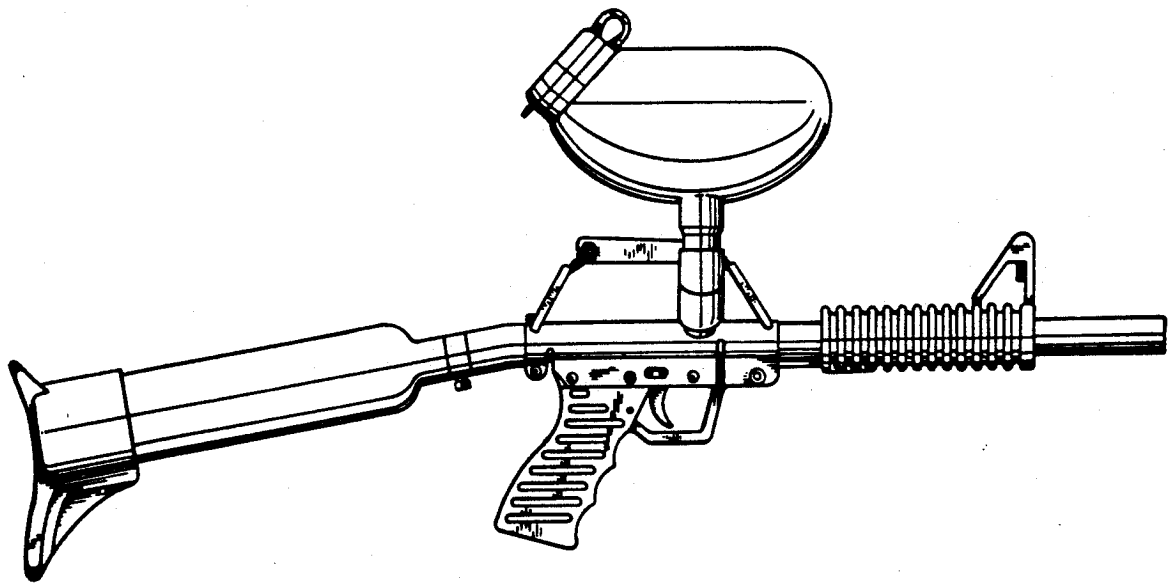
FIG. 2 is a top plan view thereof;

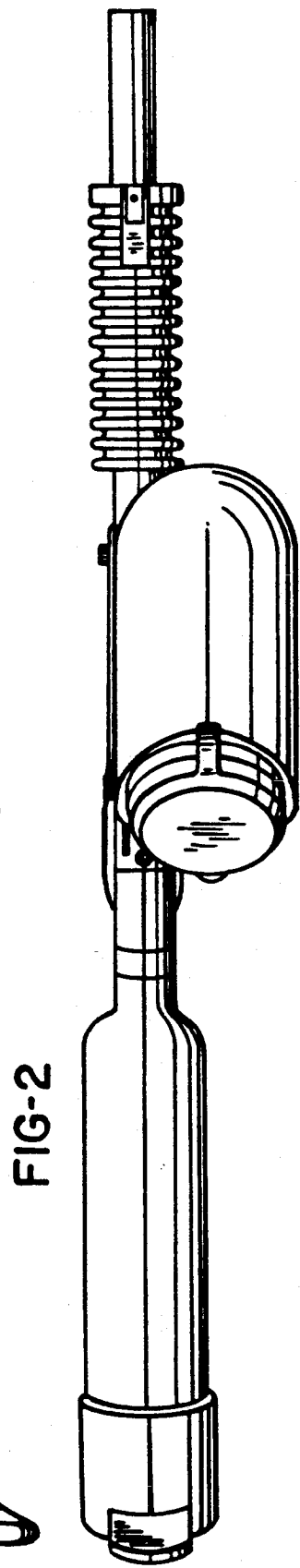
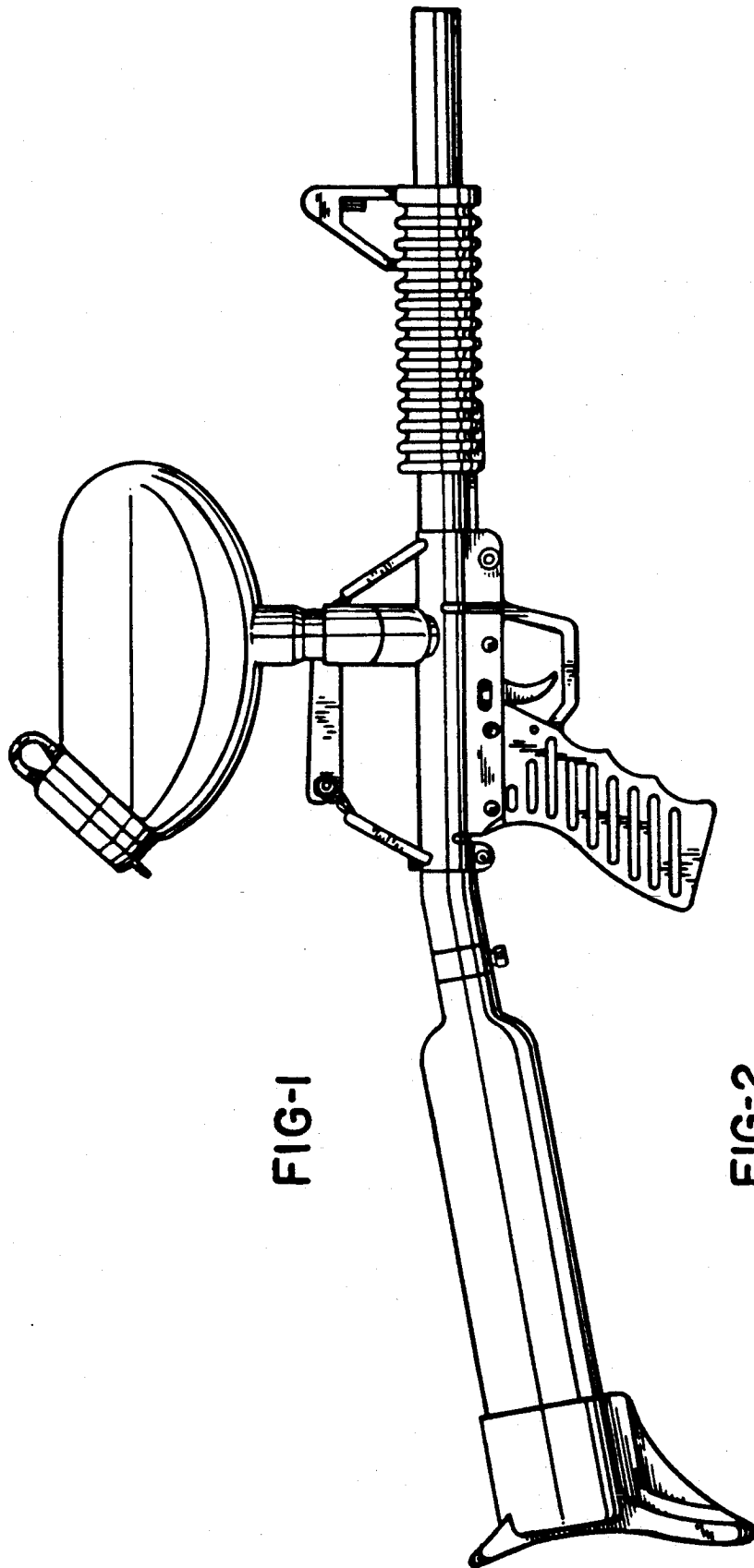
FIG. 3 is an elevational view taken from the rear side thereof;

FIG. 4 is a bottom plan view thereof;

FIG. 5 is an elevational view taken from the right end thereof; and,

FIG. 6 is an elevational view taken from the left end thereof.





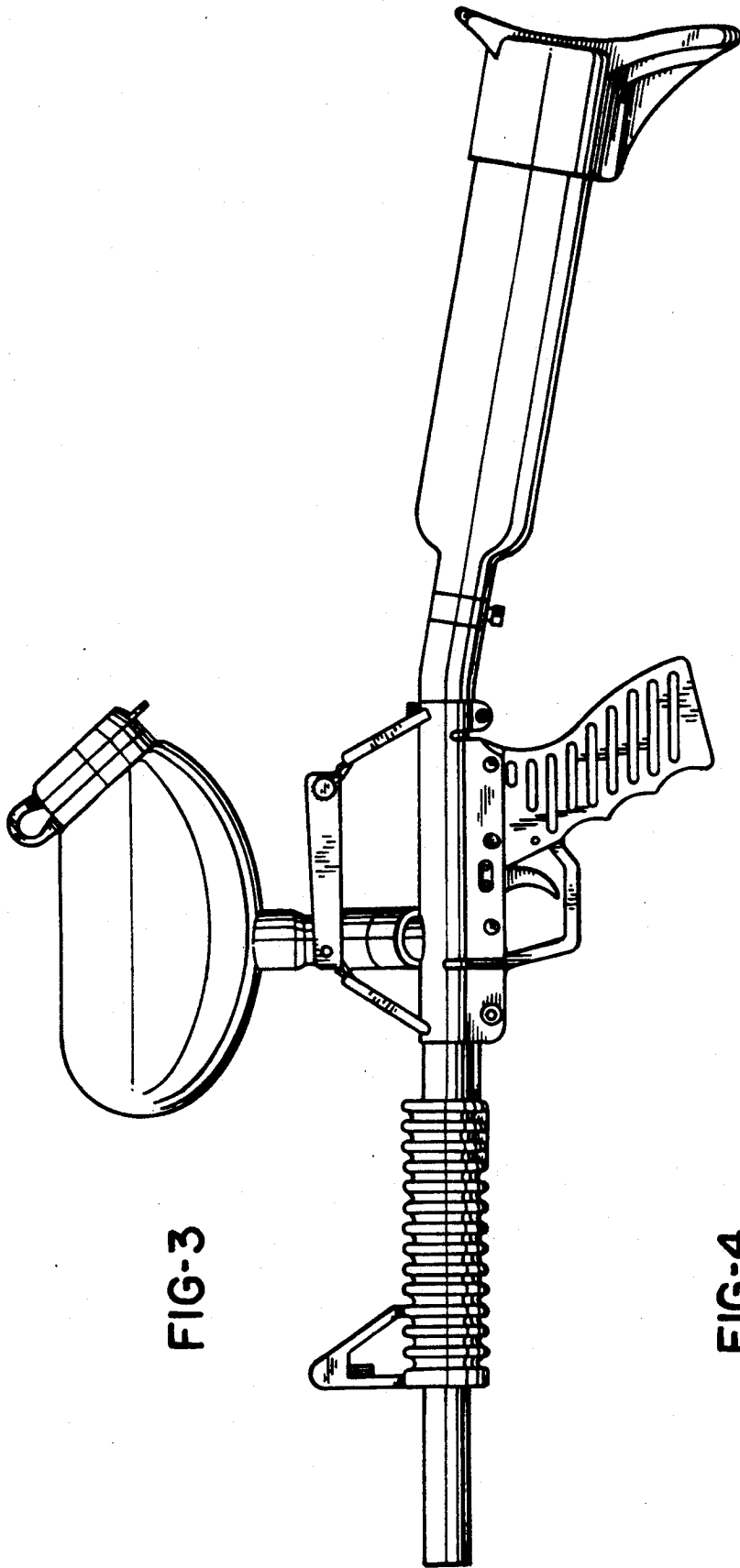


FIG-3

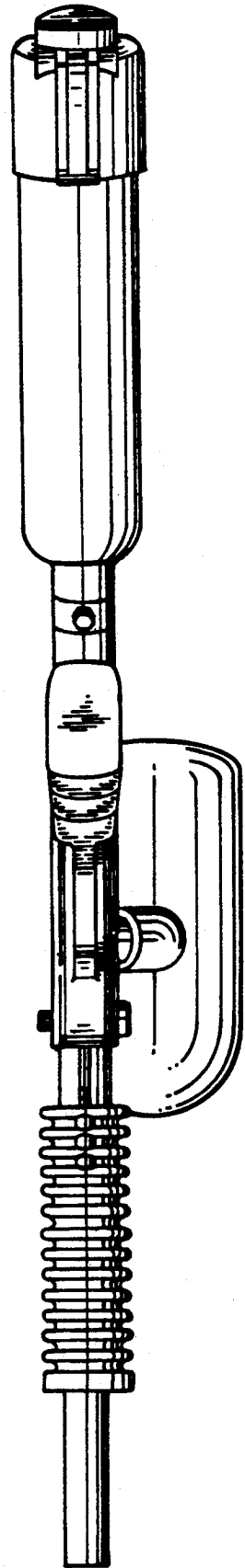


FIG-4

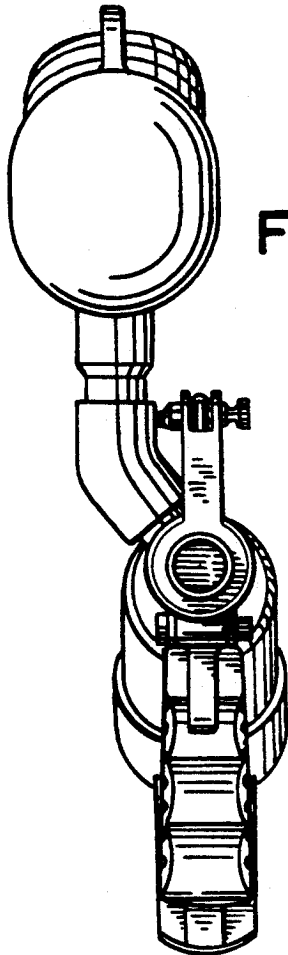


FIG-5

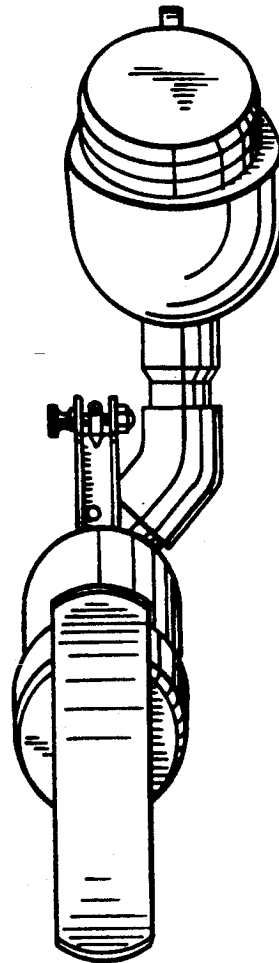


FIG-6